

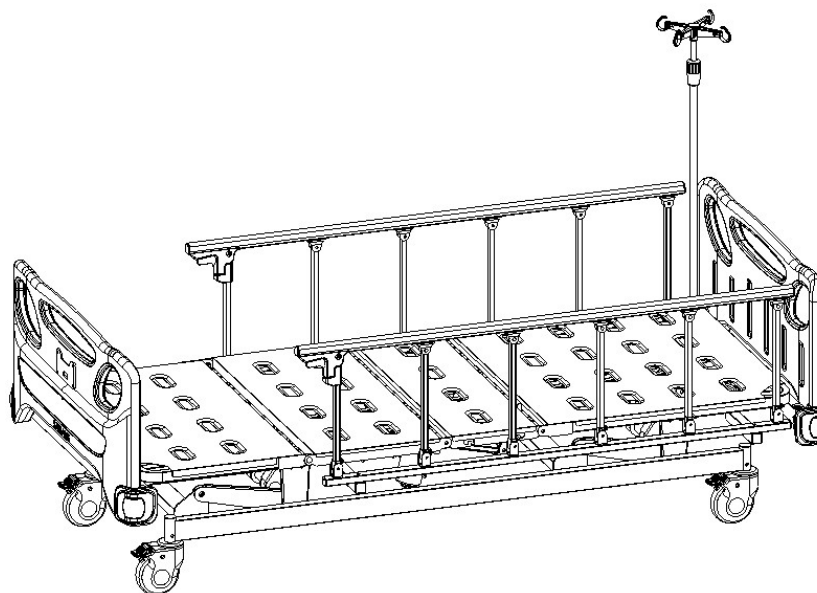
SAIKANG MEDICAL / USER MANUAL



User manual

K6k5s Electric Hospital Bed

Registration code: SKD-C



SAIKANG / Medical

Jiangsu Saikang Medical Equipment Co., Ltd.

STOCK CODE: 870098

Contents

Manual Introduction	3
1.1 List of Standard Accessories	4
1.2 Casters installation	7
1.3 Side guardrails installation	8
1.4 PP mattress holder installation	9
1.5 Head board & Foot board assembly method	10
1.6 IV pole installation	11
2. Product usage instructions	12
2.1 Use method of casters	13
2.2 Use method of guardrails	14
2.3 Use method of drainage hooks	15
2.4 Use method of IV pole	16
2.5 Use method of hand controller	17
3. Spare part replacement and maintenance	18
4. Faults exclusion	19
5. Bed-maintenance	20
6. Bed-cleaning	21
7. Mattress-cleaning and maintenance	22
8. Caster-detection and maintenance	22
9. Guardrail-maintenance	23
10. Spare part list	24
11. Packaging, transport, storage	26
12. After-sales service	27

Manual Introduction

Hospital beds are essential equipment for the well-being, treatment and recovery of bedridden patients. Hospital beds allow patients to remain in more comfortable positions as well as in positions sometimes recommended by doctors, which would be very difficult in a normal bed, where one would always have to be placing or removing supports. Hospital beds can be manual or automatic. The automatic hospital bed has its functions controlled by buttons on the side panels of the bed or via remote control. The manual hospital bed has its functions controlled by hand cranks. On the other hand, patient safety is very important at this time of recovery, so all of our beds have a side protection rails, preventing the patient from going at night and running risks of falling.

Note:

Please carefully read this manual and strictly follow the steps before installing and using. We require all users to have the knowledge of user's manual and all the cautions.

- ▶ This manual is applicable to K6k5s electric hospital bed. It contains the installation method, operating instructions and maintenance check points.
- ▶ The graphics in this manual are for users' reference only. In actual use, please refer to the real object.
- ▶ This user manual includes the description, instruction, maintenance and technical parameters of the product.
- ▶ Any questions, please contact the after-sale service center or distributor.
- ▶ Anyone using or operating this product should read and comply with it.
- ▶ Except for some unexpected situations, users are required to be familiar with the usage and precautions.

1. Installing guide

1.1 List of Standard Accessories

After opening the package, please check if the following components inside the package are complete:

Table A:

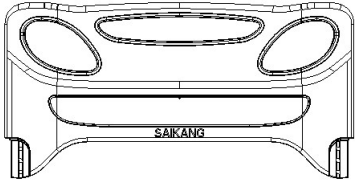
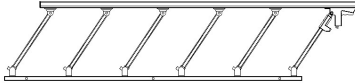
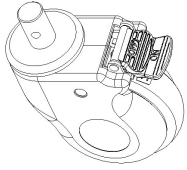
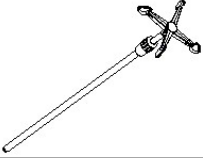
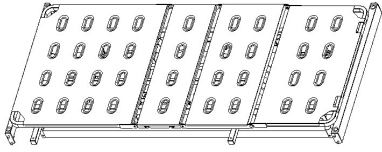
NO.	Name	Reference Picture	Specifications and Models	Quantity	Unit
1	Head&Foot Board Packaging Box		Please refer to the table below. (Table a.1)	1	Box
2	Side rail		Sixth column side rail	2	Piece
3	Castor		5 inch covered castor	4	Piece
4	I.V Pole		Φ16-19mm/off white hook	1	Piece
5	Bed frame		1925*820	1	Piece
6	Screw package	/	Please refer to the table below. (Table a.2)	1	Package

Table a.1

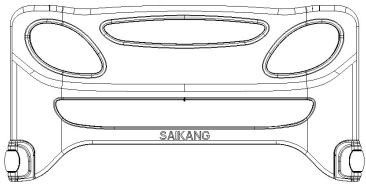
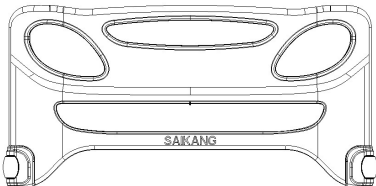
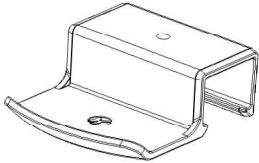
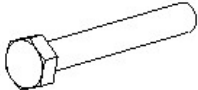
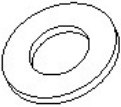
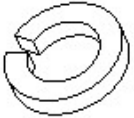
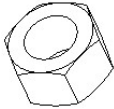
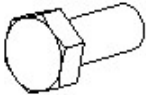
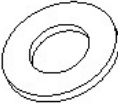
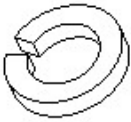
NO.	Name	Reference Picture	Specifications and Models	Quantity	Unit
1	Headboard		980*480	1	Piece
2	Footboard		980*480	1	Piece

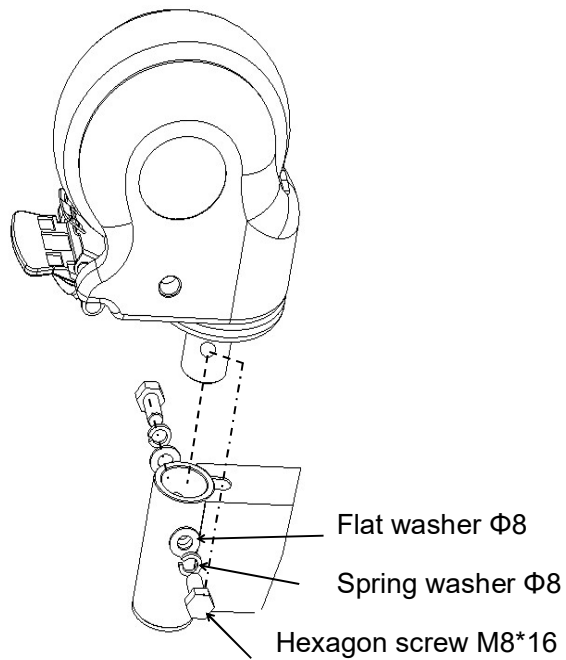
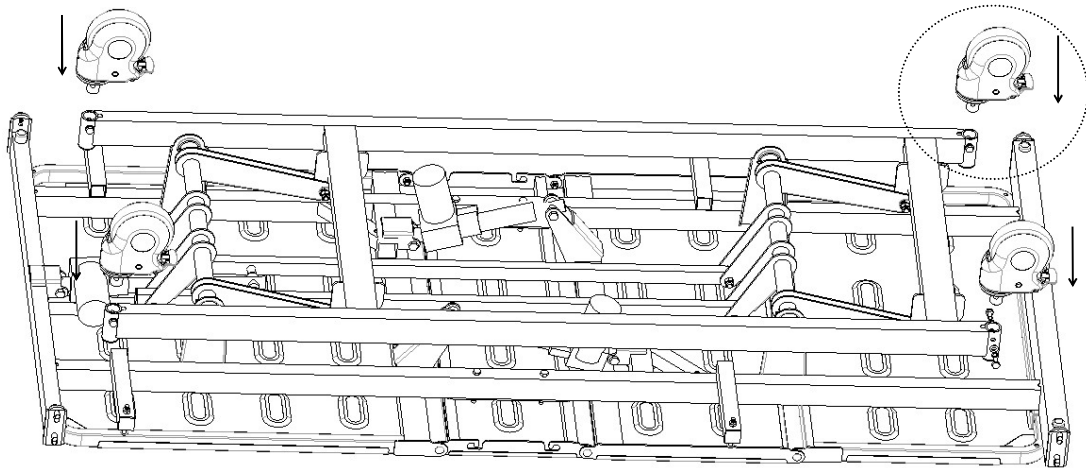
Table a.2

NO.	Name	Reference Picture	Specifications and Models	Quantity	Unit
1	PP mattress holder		PP	2	Piece
2	Hexagon Socket Screw		M8*80	4	Piece
3	Flat washer		$\Phi 8 * \Phi 16 * H1.2$	8	Piece
4	Spring washer		$\Phi 8 * \Phi 14 * H2.5$	4	Piece
5	Lock Nut		M8	4	Piece
6	Hexagon Socket Screw		M8*16	8	Piece

7	Flat washer		$\Phi 8 * \Phi 16 * H1.2$	8	Piece
8	Spring washer		$\Phi 8 * \Phi 14 * H2.5$	8	Piece

1.2 Casters installation

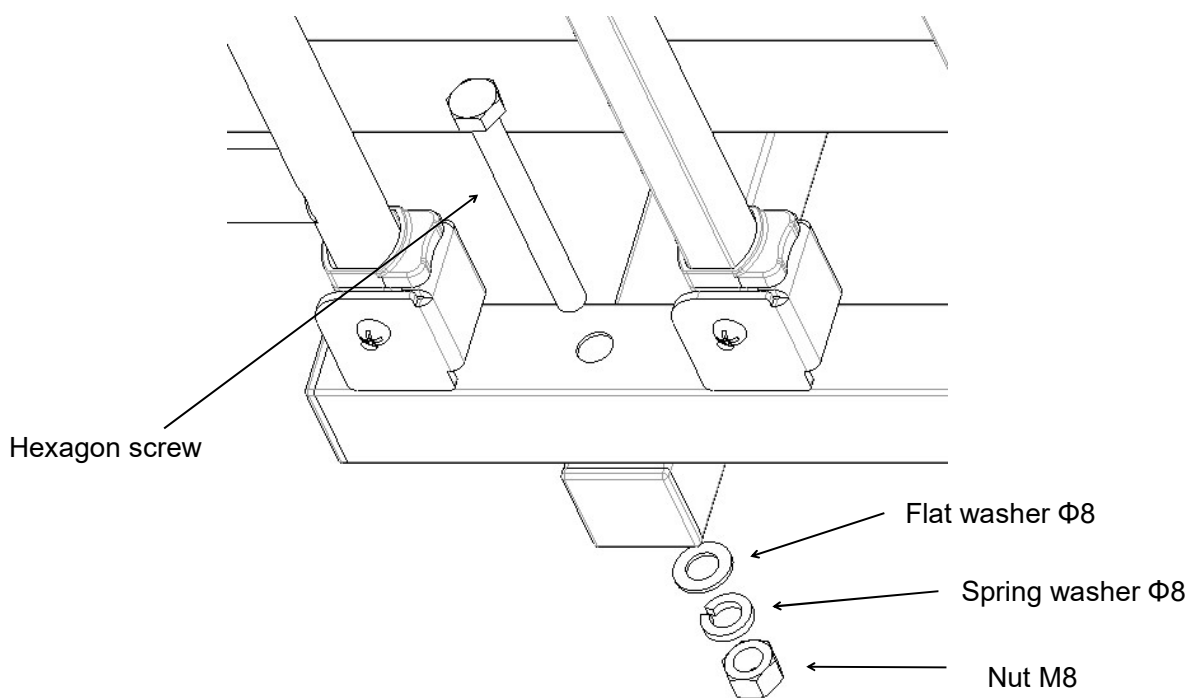
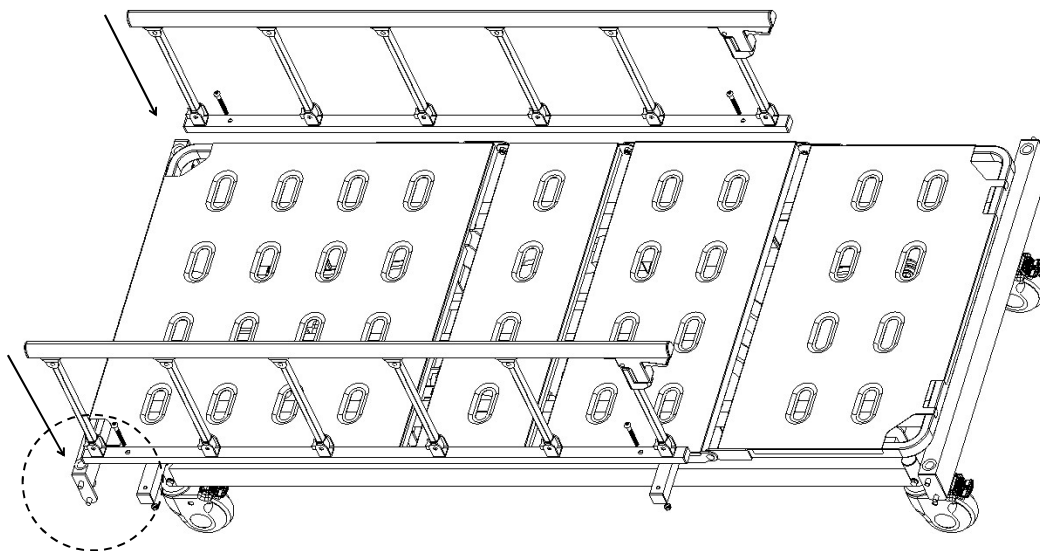
Lay a protective pad and put the bed body upside down;
Remove the screw as shown below, and use a 14-inch hex wrench.



1.3 Side guardrails installation

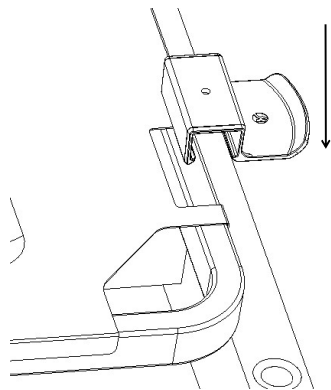
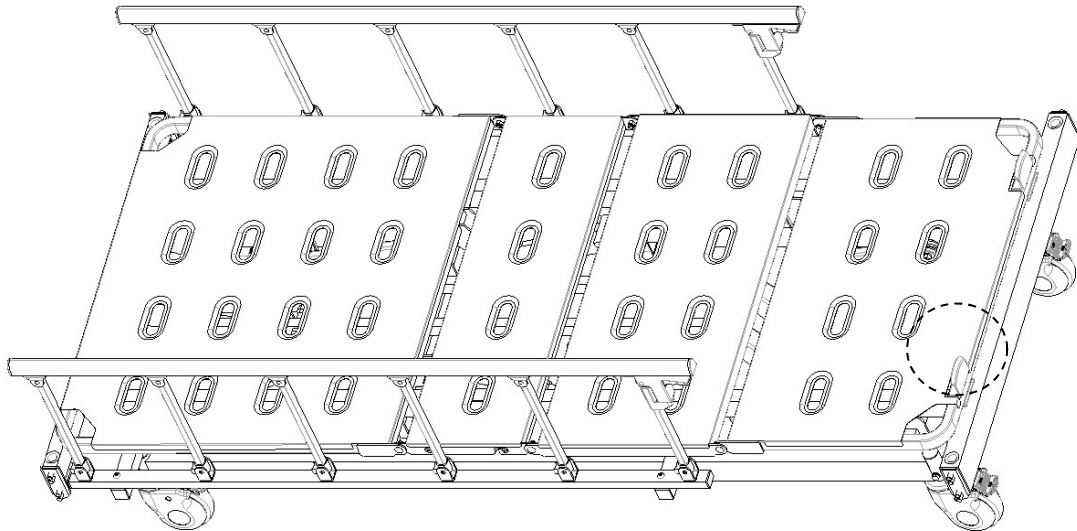
Place the bed upright and install the guardrail, (The picture may not exactly match the real product, this is only for installation instructions)

Take out the screw as shown below, and use a 14-inch hex wrench.

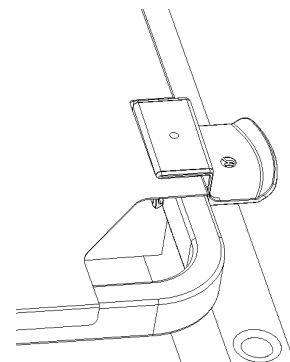


1.4 PP mattress holder installation

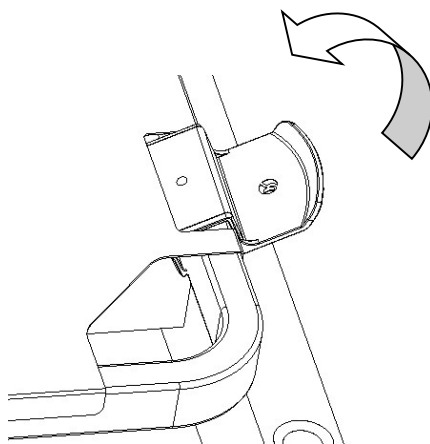
Remove the mattress holder from the screw package and install as shown.



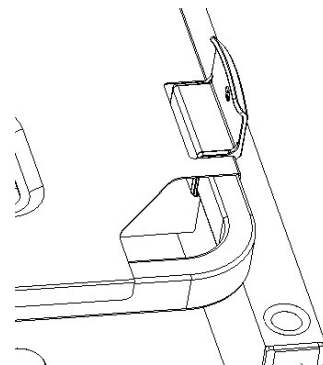
1



2



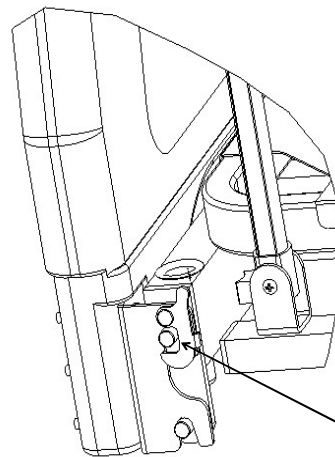
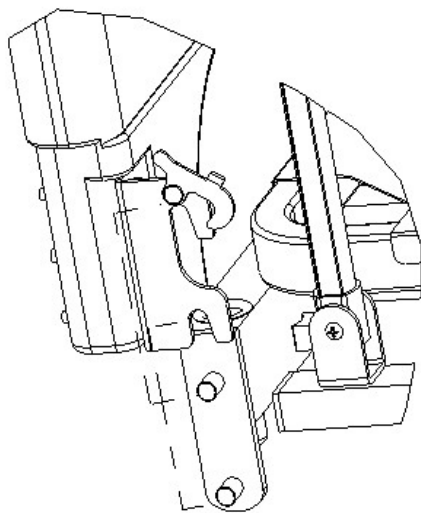
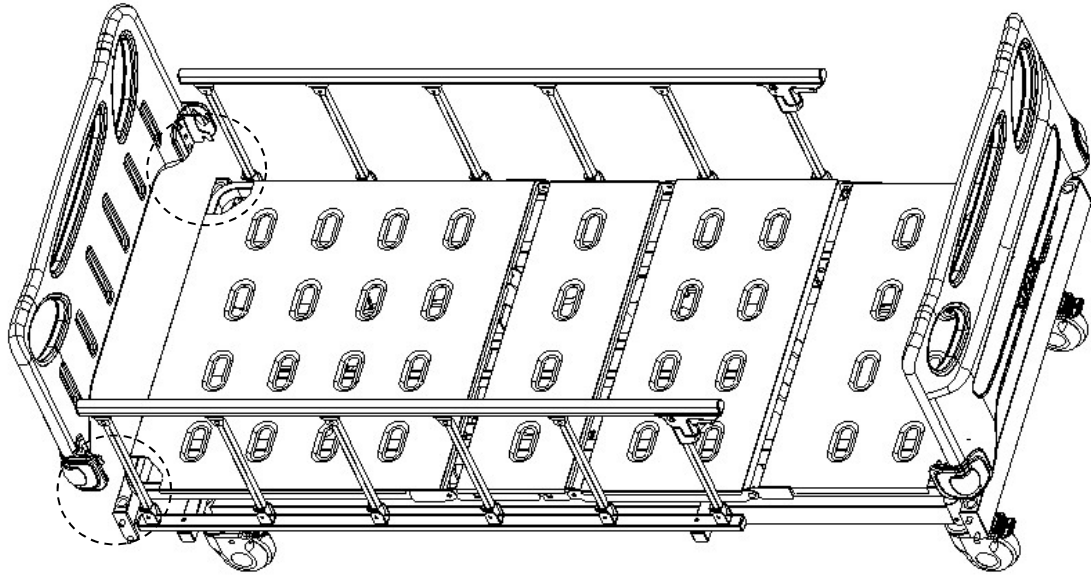
3



4

1.5 Head board & Foot board assembly method

(The picture does not exactly match the real product, only for the installation instructions)



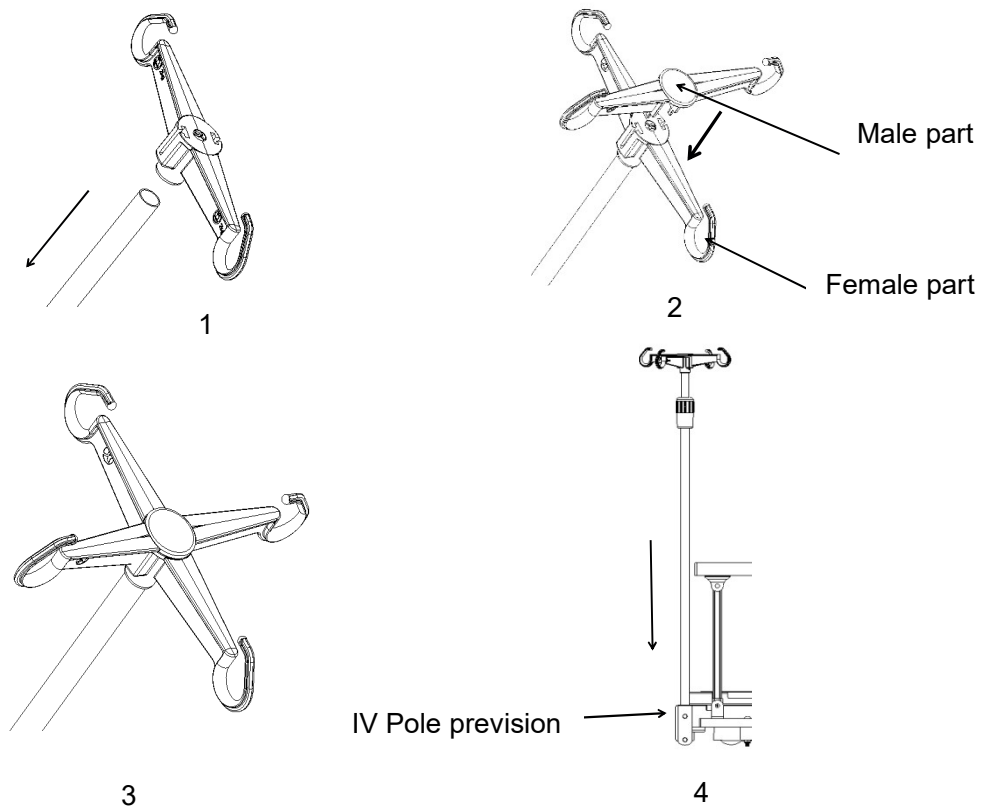
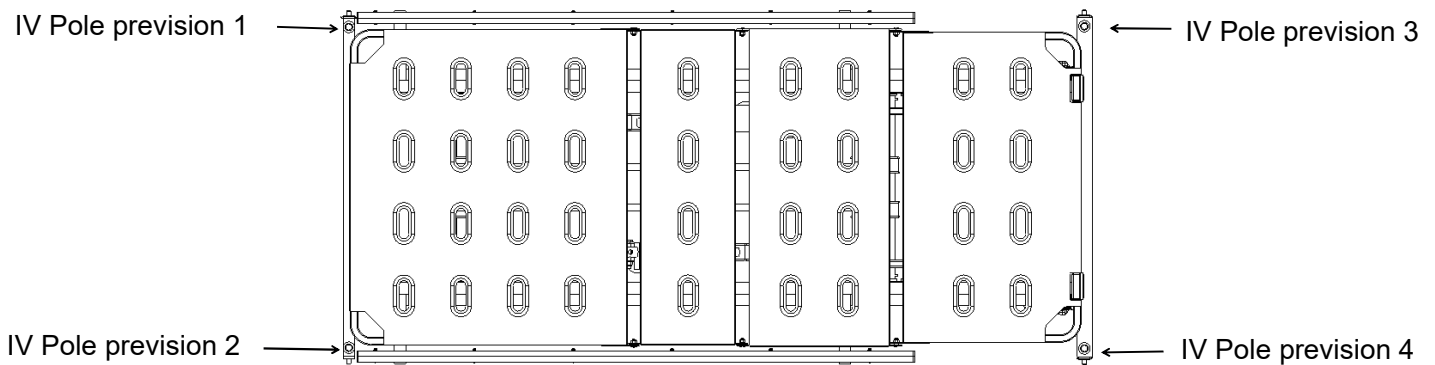
Lock the buckle

1.6 IV pole installation

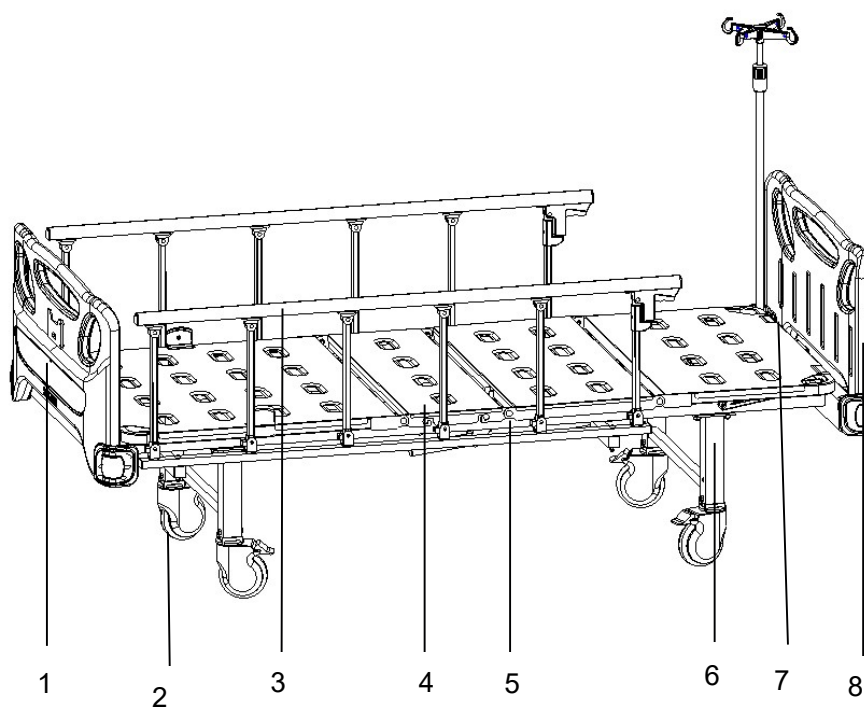
Female part installation: Press the plastic hook (female part) down on the $\Phi 16\text{mm}$ stainless steel pipe.

Male part installation: Place the plastic hook (male part) directly above the female part in a cross shapes, and then aligns the buckles on the male part with the slots on the female part and press down. After hearing a "click", check whether the end of the buckle is tight, if it is tight, then complete the installation, if not, continue to press down until the buckle is tight.

Insert the installed IV pole vertically into the IV pole prevision. (The arrow in the picture shows the IV pole prevision)




2. Product usage instructions




- 1-Head board 2-Casters 3-Guardrail 4-Bed surface board
5-Drainage hook 6-Bed frame 7-Mattress holder 8-Foot board

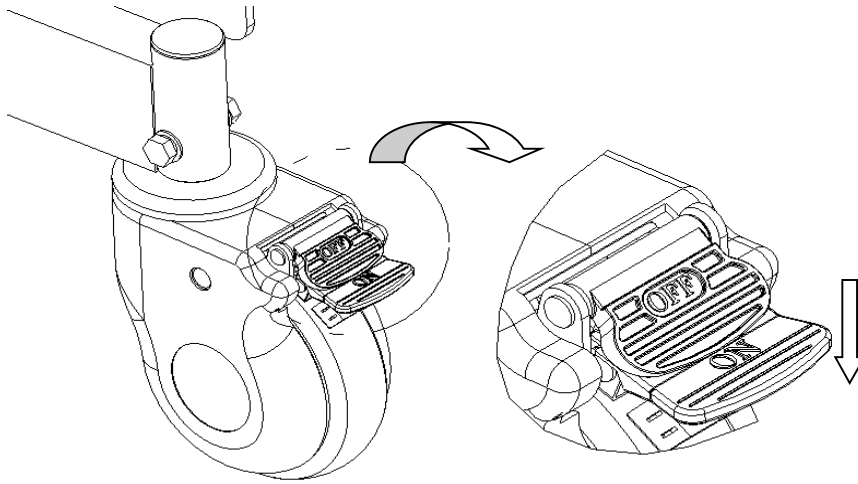
Bed surface size	Length	mm	1925±10
	width		820±10
	The lowest height of the bed from the ground		(400-710)±10
Dimensions	Length	mm	2105±10
	Width		980±10
	Height		(400-710) ±10
Tilt range	Back board	/	85±10°
	Leg board		45±10°
Weight	Safe working load	KG	250

2.1 Use method of casters

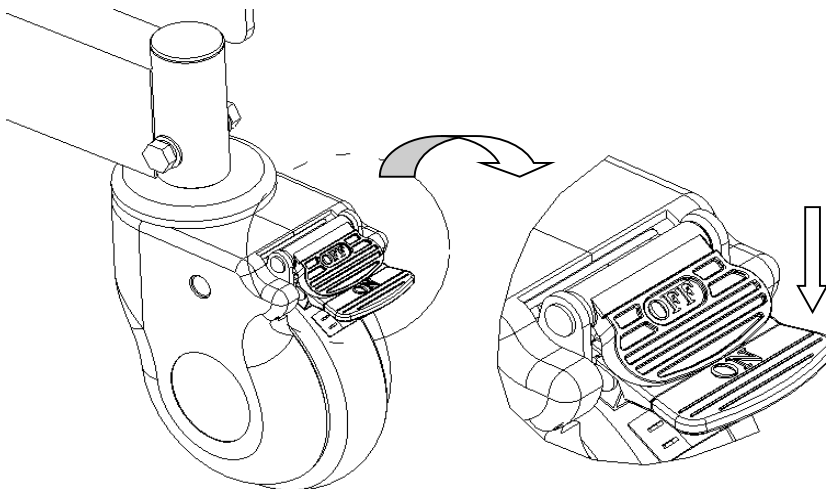
 When there is a patient on the bed, the guardrail should be raised before moving the bed.

 Except when the bed must be moved, the caster brake must be stepped on during the rest of the time. Need to depress all four wheel brakes.

2.1.1 Lock the caster: After pushing the bed to the desired position, press the ON button with your foot and lock the caster when you hear a “click”, as shown in the figure below.



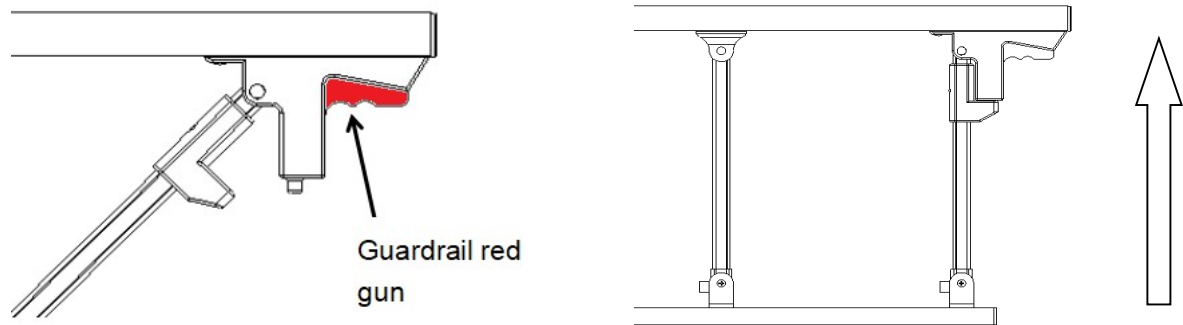
2.1.2 Unlock the caster: Press the OFF button with your foot and unlock the caster when you hear a “click”.



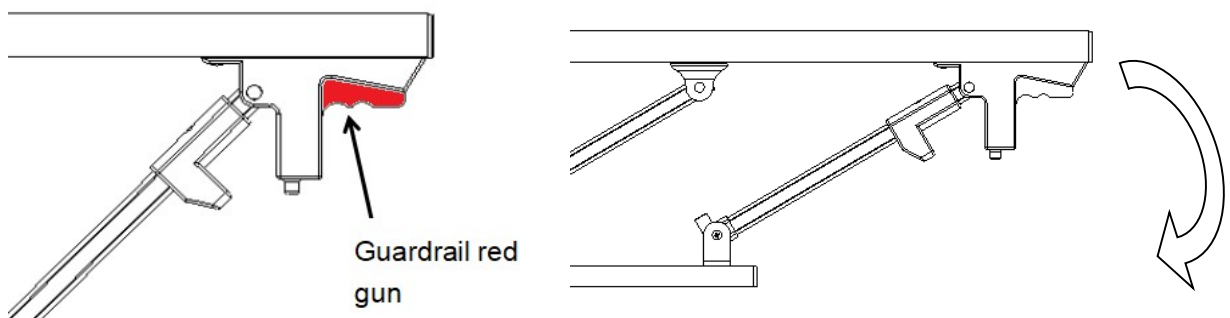
2.2 Use method of guardrails

2.2.1 Raising and lowering the guardrail

Raise the guardrail: Hold the red gun of the guardrail and lift it up. When you hear the sound of “click”, it means the guardrail is locked.

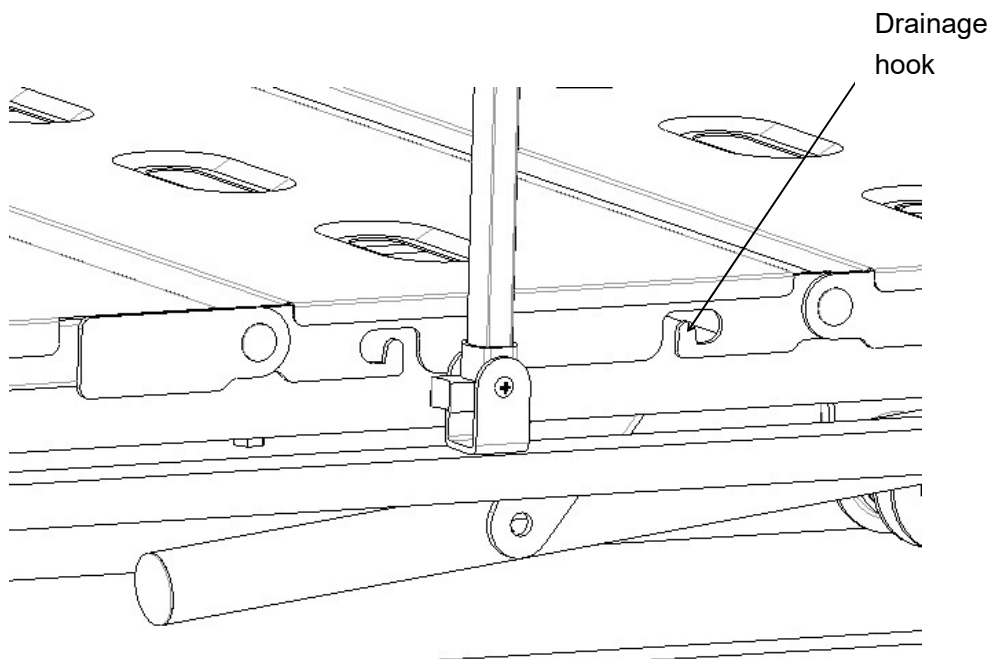
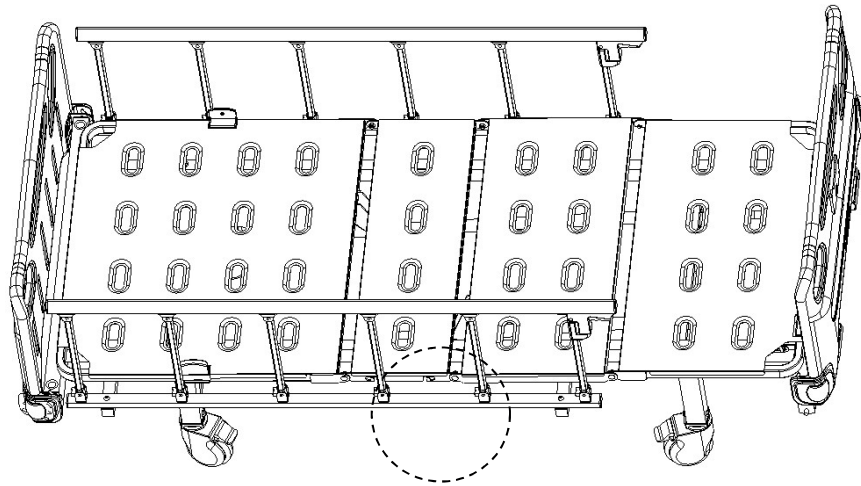


Lower the guardrail: Hold the guardrail red gun and slowly lay down.



2.3 Use method of drainage hooks

The drainage hooks as shown in the figure.



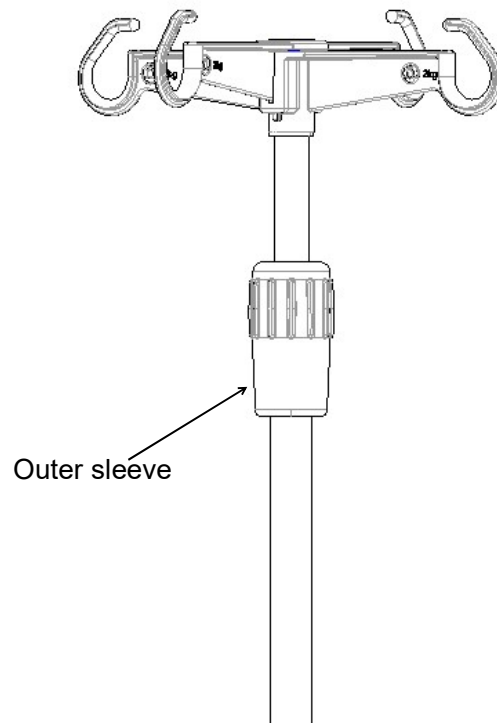
2.4 Use method of IV pole

Adjusting the height of the IV pole:

1. First loosen the outer sleeve counter clock carefully, insert the inner tube of the IV pole into the outer sleeve, and then adjust the length of the extension rod up and down;

2. Second adjust the required length, and then tighten the outer sleeve clock carefully. The maximum bearing of each hook is 2kg, a total of 8kg.

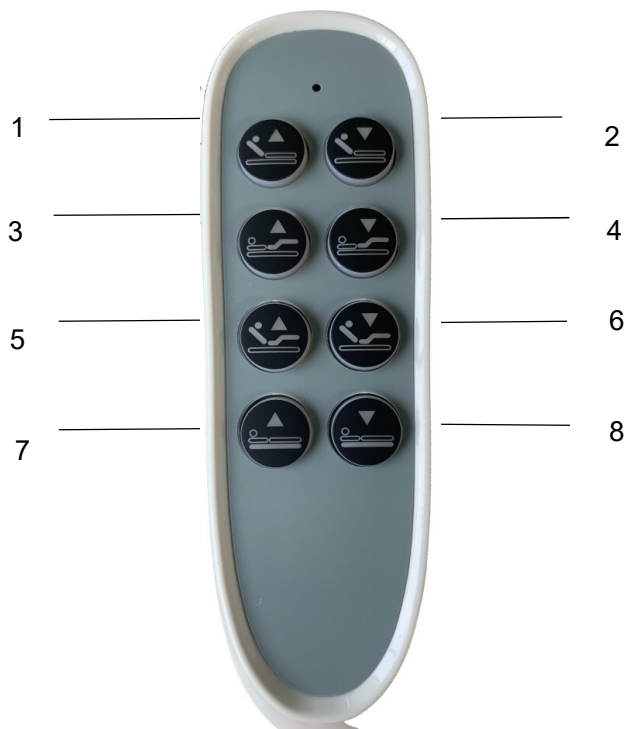
(Height Adjustment :890--1540mm)



2.5 Use method of hand controller


(The picture is not completely consistent with the real thing, only for the reference of operation)

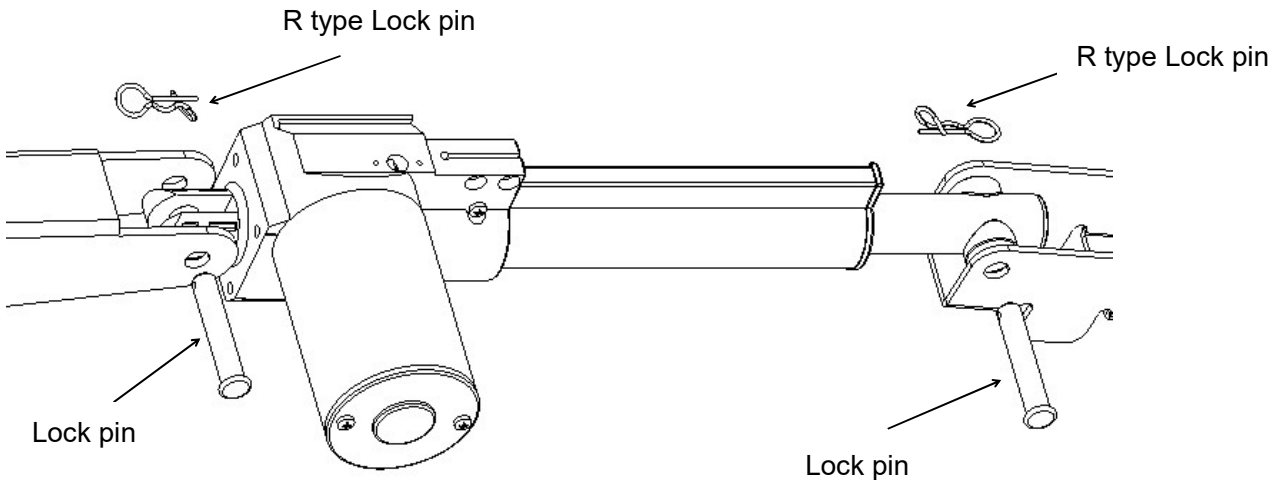
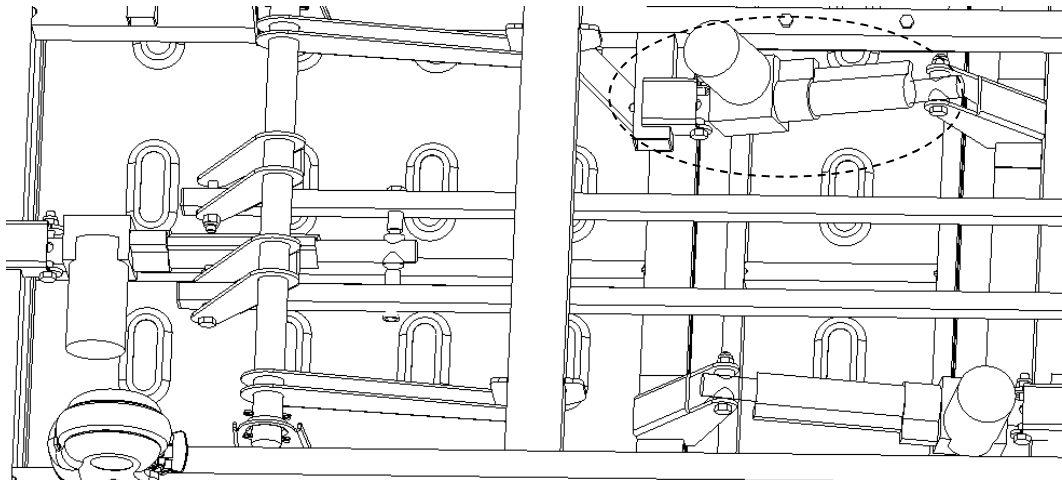
(Note: when the guardrail reaches the lowest point, the indicator light is on, and the indicator light at other positions is not on)



- 1: Back up button
- 2: Back down button
- 3: Leg up button
- 4: Leg down button
- 5: Back and leg linkage up (auto-contour) button
- 6: Back and leg linkage down (auto-contour) button
- 7: Whole bed up button
- 8: Whole down Button

3. Spare part replacement and maintenance

Use 2pcs 17-inch Allen wrenches  to unscrew the motor, take out the bolt, and replace the motor. When the replacement is completed, install the bolts in the order shown in the figure, and use the wrench to tighten the knot.

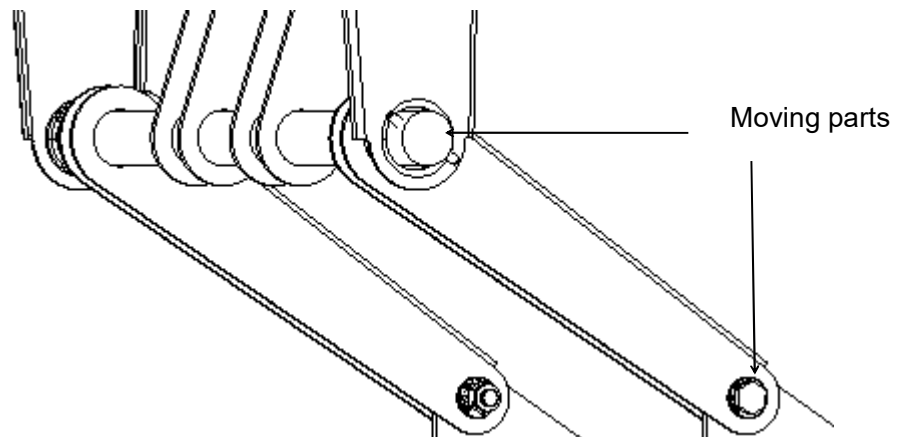
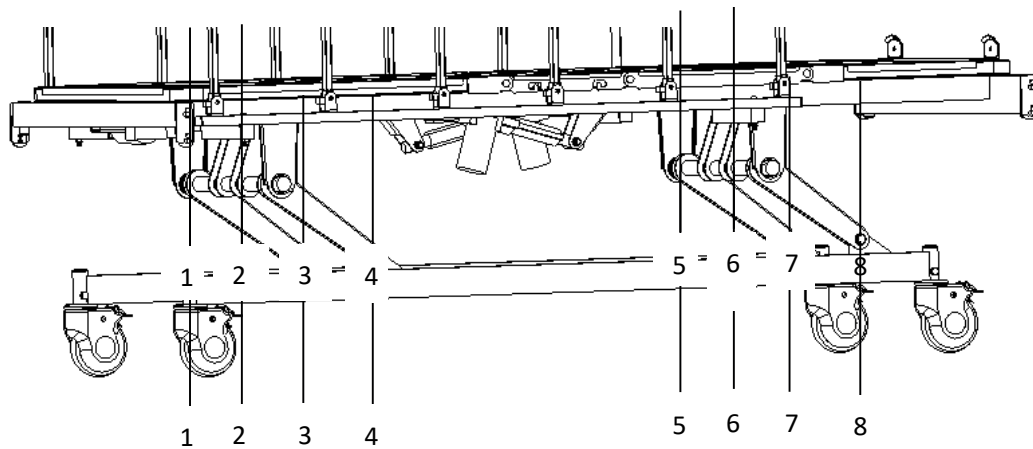


4. Faults exclusion

Common failures	Probable reasons	Exclusion methods
Difficult to move the whole bed	<ol style="list-style-type: none"> 1. The caster is locked without releasing the brake 2. The caster is damaged 	<ol style="list-style-type: none"> 1. Release the brake,check 2.1 2. Replace the caster,check1.1
Guardrail easy to loosen	The guardrail is not stuck in place	Lift the guardrail upward again and let go of the hand after hearing a "click"
Loud noise when the bed board moves up and down	The moving parts are rusted and the lubrication is insufficient	Add proper amount of lubricating oil at the joint of moving parts
Part of the bed does not work	The hand controller button fails	Replace the hand controller
The electric bed does not work	Unplugged and no power on	Insert the plug and turn on the power

5. Bed-maintenance

1. In order to use the bed safely, safety inspections must be done regularly. Conduct a comprehensive inspection every six months, to ensure that there is no looseness in the connection parts and the function of up&down for the bed can be operated normally.
2. At the joints of the frequently moving parts of the bed, an appropriate amount of lubricating oil needs to be added during daily inspection; if serious wear is found, it should be replaced immediately to ensure safety, add lubricated parts as show.



3. Avoid hitting the bed and scratching the coating on the bed with sharp objects.
4. Please avoid inhaling moisture into the bed and mattress, which will cause rust, abnormal noise and bacteria breeding. If water adheres, wipe it off immediately.
5. When the bed frame ages and it reaches a certain servicing time, which the metal part of the bed and the plastic parts of the headboard or foot board, guardrail can be recycle.

6. Bed-cleaning

1. When cleaning, please use a cloth soaked in neutral detergent diluted with water, wring it out, wipe the surface, then use another cloth soaked in clean water, wring it out, and wipe off any remaining detergent residue. Finally, dry with a dry cloth.

1. Do not use volatile substances (thinner, solvent, gasoline, etc.) as they may cause chemical reactions that could damage the bed.

2. When using disinfectants, be sure to dilute them according to the specified concentration. Depending on the composition of the disinfectant, it may corrode metal parts, resin parts, etc., causing discoloration, deformation, and other adverse effects. Therefore, it is recommended that the disinfectant composition be as follows:

0.05-0.2% Ammonium chloride disinfectant solution

0.05-0.2% Phenolic chloride disinfectant solution

0.05% Chlorhexidine gluconate solution

0.05-0.2% Sodium hypochlorite disinfectant solution

Do not use smoking sterilizers or high-pressure sterilizers. Avoid using phenol (carbolic acid) to clean headboards, footboards, and other parts, as it may cause corrosion, discoloration, and deterioration.

Note:

1. When cleaning and maintaining, please unplug the power plug first.
2. When cleaning the bed, do not splash water to prevent short circuits and electric shock.
3. When cleaning the bed or changing beddings, pay attention to the corners, edges, and screw parts of the frame to avoid scratching.

7. Mattress-cleaning and maintenance

1. When using it, avoid scratching the fabric with sharp-angled tools or knives, cover it with sheets or cleaning pads, and clean it frequently to protect it from dryness.
2. Clean the mattress regularly with a vacuum cleaner, Mattress cover can be washed in 100°C.
3. Expose the mattress often to keep the sleep fresh and comfortable, but be careful not to expose the mattress to too long.
4. If the fabric is accidentally stained, please refer to the corresponding recommended cleaning methods in the instructions, do not use corrosive chemicals to clean the fabric.
5. If accidentally the chewing gum or other jellies get on the fabric, do not wipe it forcibly. Use an ice pack to allow it harden and gently peel it off.
6. If the thread is found to be loose due to wear and tear, do not pull it off by hand, use scissors to cut it together.

* If your order does not have a mattress, please refer to the contract configuration.

8. Caster-detection and maintenance

1. Regularly check the casters to avoid hitting or overloading, which will cause damage to the casters.
2. Grease the casters or wheels on a regularly, and the frequency of addition should be determined according to the specific actual use conditions. In general, lubricating grease is added every six months.
3. After cleaning the caster equipment, pay attention to adding grease. The selection of lubricating grease should be based on the actual use environment, special high temperature and special low temperature environment, and the corresponding lubricating grease should be selected.
4. It is forbidden to force the casters to brake when braking, which will cause damage to the brake system.
5. The wear of the tire surface of the wheel can be detected by visual inspection. Some thread spun yarn and other accumulations may be wrapped around the wheel, remove the bolts and nuts of the wheel, clean up the debris, and check whether the bearing of the wheel is damaged. If the parts are not damaged, can be reassembled and used.
6. Judging whether the caster is replaced according to the time used, wear and tear, you can replace the wheels and make sure that the axles bolt and nuts are well put together and connected. If possible, use a lock washers or locknuts to help you with this process.
7. For the casters equipped with brakes, it is necessary to regularly check whether the brakes are

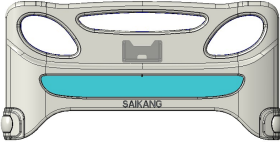
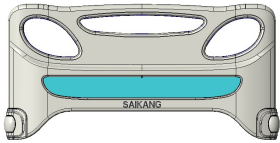


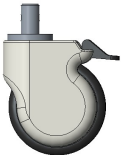
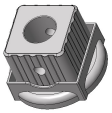
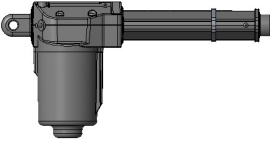
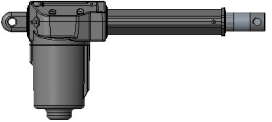
working properly. Check the brakes once a day or before each use. For a hospital bed equipped with multiple brake casters, only one brake caster can be locked at a time which will allow you to try and push the bed also check whether one of the brake performance of each caster is good. If the function of the brake fails due to wear or damage to the wheels, immediately replace the wheels and then retest the brake system.




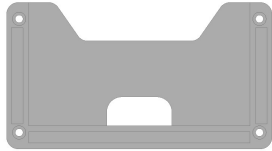
8. If the mechanism of the brake system of the caster is damaged, and the brake needs to be repaired or replaced, please contact our after-sales service department or authorized dealer provide by our company. Every time the brakes are replaced, the brake performance of the casters must be retested.

9. Guardrail-maintenance

1. Please check whether the side rails are installed correctly to prevent the lying patient from shifting and rolling down.
2. Please always check the screws of the total position of the guardrail and the wire to prevent loosening and falling off.
3. Please use the red plastic parts of the guardrail switch correctly, and do not use brute force prevent it from damaging the guardrail.

10. Spare part list

No.	Name	Model No	Picture	Specification
1	K23/PP/Foot board	BKLLGH106959		Hook distance: 908*55mm/T Blue sticker/off-white corner/foot board
2	K23/PP/Head board	BKLLGH106958		Hook distance: 908*55mm/T Blue sticker/off-white corner/head board
3	Aluminum alloy side rail	BKLLGH105939		Six horizontal holes /QB type /260*5/φ10*585*2 / U-shaped lower bracket/fully riveted assembly/silver aluminum tube
4	IV pole	S0FJSY010003		Six horizontal holes /QB type /260*5/φ10*585*2
5	5 inch caster	LGPLU101TS014		/ U-shaped lower bracket/fully riveted assembly/silver aluminum tube
6	Caster square set	GPSL101TS297		50*50
7	HJ motor 100	LGPDJ101TS575		HJA58/ stroke 100mm/ installation distance 275mm/ thrust 6000N// vertical installation/white/Motor front end with plastic bushing aperture φ10mm/ tail φ10mm
8	HJ motor 150	LGPDJ101TS574		HJA58/ Stroke 150mm/ installation distance 325mm/ thrust 6000N// vertical

				installation/white/motor front end with plastic bushing aperture ϕ 10mm/ tail ϕ 10mm
9	HJ motor 200	LGPDJ101TS573		HJA58/ stroke 200mm/ installation distance 375mm/ thrust 6000N// transverse mounting/white/Motor front aperture ϕ 12mm/ tail ϕ 10mm
10	HJ control box	LGPDJ101TS576	/	HJT13E Switching power supply /100-240V/50/60Hz/ White
11	HJ hand controller	LGPDJ101TS577		HJH18 Remote control /8 keys/White
12	HJ power line	LGPDJ101TS578	/	Straight line 3m/white
13	HJ signal line	LGPDJ101TS579	/	W971 signal line/white
14	Drainage hook	BYKBGKM02806		30-50(Plastic)
15	Name card	GPSL101TS184		/

Note: Due to product updates, parts of the original product may not be available for life.

(The company ensures that the sold products can provide the parts that need to be replaced within 6 years after the end of their production)

11. Packaging, transport, storage

1. The packaging of electric bed is carried out according to the contract or product standard.
2. Avoid rushing out, violent vibration, and prevent from sunlight and rain during the transportation of the electric bed.
3. The electric bed should be stored:
 - a) Ambient temperature: $+5^{\circ}\text{C} \sim +40^{\circ}\text{C}$.
 - b) Relative humidity: $\leq 85\%$.
 - c) Atmospheric pressure: $70 \text{ kPa} \sim 106 \text{ kPa}$.
 - d) Power voltage: AC $100-220\pm 22\text{V}$;
 - e) Power frequency: $50\pm 5 \text{ Hz}$
4. The equipment is with internal power supply, and the protection type is Type B.
 - A) Working voltage: DC 24V.
 - B) Input power: 500VA.
 - C) Fuse model and rating: F3AL 250V, 5×20mm
 - D) Working schedule: intermittent loading and continuous operation
 - E) Ingress protection :IPX4
 - F) Non-AP /APG devices

Symbol Interpretation:



Note! Check the file that comes with the bed

IPX4 Ingress protection



Class II equipment



Protective grounding

12. After-sales service

1. Please keep the files that comes with the machine and invoices of this product properly and you need to present these materials when the company performs warranty and maintenance for the product.
2. If there is any problem in the process of using, please contact our company in time, so that our company can provide you with accurate and fast technical support and maintenance services in a timely manner.
3. Do not disassemble the internal device of this product by yourself to avoid unnecessary damage. If you find that the use is affected due to quality problems, please contact our after-sales service department or our authorized dealer.
4. From the date of purchase, if it is indeed damaged or does not work normally due to quality problems within one year, the company will repair the product for the user for free.
5. Lifetime service from manufacturer: JIANGSU SAIKANG MEDICAL EQUIPMENT CO LTD.

SAIKANG / Medical

Jiangsu Saikang Medical Equipment Co., Ltd.

STOCK CODE: 870098



No. 35, Lehong Road · Zhangjiagang (Jiangsu) · China

+86 18021231901

sales@chinasaikang.com

www.saikangmedical.com